

EASY

THE COMPACT LASER SOLUTION FOR MARKING,
KISS-CUTTING AND CUTTING MATERIALS UP TO 300X300 MM



- **EASY** is a smart and compact solution developed by **SEI Laser** for marking, kiss-cutting and cutting a variety of materials such as paper, cardboard, genuine and synthetic leather, natural and artificial textiles, denim, rubber, wood, acrylics, acetates, organic materials and glass, etc.
- Maximum work area up to 300x300 mm.
- Outstanding laser beam quality with the smallest spot diameter in the market delivers high-quality marking and high-speed cutting on its minimum work area of 160x160 mm.
- Efficient fumes suction outlets.
- Pneumatic door with three sides open for quick and easy loading and unloading operations.
- Motorized Z axis enables the optimisation of laser spot size according to the size and thickness of material.
- Sealed-off CO₂ laser source with zero maintenance provides maximum reliability and high quality performances.
- High grade optics ensures the highest beam focusing quality on large areas.
- **EASY** is a class 1 laser safety product and complies with international standard IEC EN 60825/1.
- Superior quality MADE IN ITALY.

THE LASER WAY





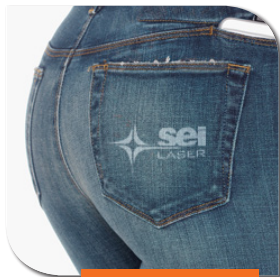
Leather



Wood



Paper



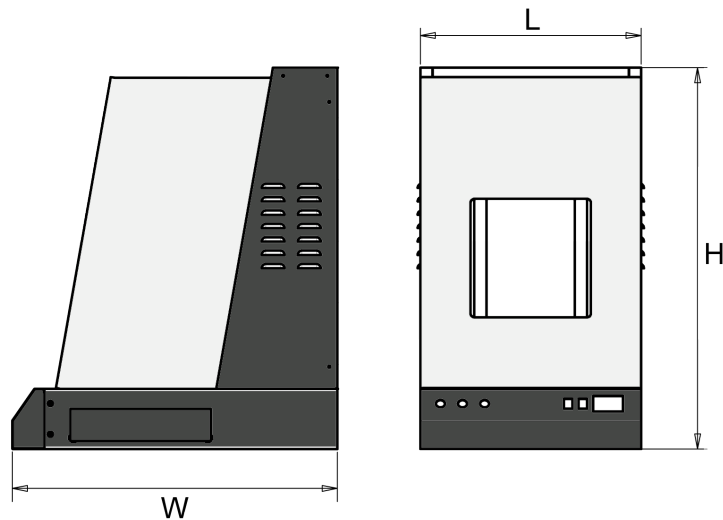
Denim



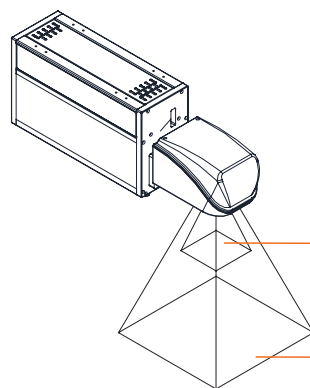
Textile

Main technical features:

Power available (W)	30
Laser technology	Sealed excited by RF discharged
Wave length (µm)	10.6
Max power (peak)(W)	> 40
Pulse repetition frequency (kHz)	0.25
Beam quality factor M ²	< 1.2
Spot diameter (µm)	≈200 (area 160x160 mm) ≈380 (area 300x300 mm)
Cooling	Forced air
Work area (mm)	160x160 - 300x300
Control unit (option)	PC Windows™ based with SW Icaro preinstalled
Norm compliance	2006/95/CE Low Voltage Directive 2006/42/CE Machinery Directive 2004/108/CE Electromagnetic Compatibility Directive IEC EN 60825-1 Laser



W=810 mm L=550 mm H=925 mm Kg=60



Min working area = 160x160 mm
Focus distance = 250 mm
Spot diameter = ≈200 µm

Max working area = 300x300 mm
Focus distance = 440 mm
Spot diameter = ≈380 µm

The product is CE marked.
Features and system requirements may change without notice.

07/2016