

DRAGON

SMALL-SIZED CO₂
CUTTING AND MARKING SYSTEMS



- Small sized systems featuring cutting edge technology providing flexible operation with high performances and safety.
- The **Dragon** structure is composed of a coated electro welded metal sheet mono-block.
- Performances: up to 2000mm/s speed with 2 G acceleration.
- X-Y motorized axes with micro-brushless motors and belt transmission.
- Manually adjustable cutting head with interchangeable focal unit and nozzle.
- Aluminum grid work table with supports and pre-arrangement for suction.
- Rear and front opening for processing long slab material.
- "Icaro" software (CAM) stamps and bas reliefs are also possible via a raster mode with 0-255 gray scales.

THE LASER WAY





CCD kit for register cutting with print marker recognition



Clamp for table position

Main technical features:

CO ₂ sealed laser source (W)	power available from 30 to 150
Work area (mm)	700x500
Max. vertical range of the work table	30 mm (manual) via (3 positions -10mm each)
Cutting range of the focal unit (manual mm)	30
Max. thickness of the material to process (mm)	25
Repeatability (mm)	< 0,05
X-Y resolution axes (mm)	0,002
Max. acceleration (m/s ²)	20
Max. vector speed (mm/s)	2000
Max. Raster speed Y axis (mm/s)	2000
Max. resolution bitmap file (dpi)	1200
Max. gray scale bitmap file	256
Interface software	CAM Icaro on Windows™ platform
Reading file compatibility vector	.dxf; .plt (hpgl); .ai; .eps; .pdf;
Reading file compatibility bitmap	.bmp; .jpg; .tiff; .wmf; .pcd; .pnt; .pcx; etc.
Norm compliance	2006/95/CE Low Voltage Directive 2006/42/CE Machinery Directive 2004/108/CE Electromagnetic Compatibility Directive IEC EN 60825-1 Laser Safety



02/2015

Options available increasing flexibility:

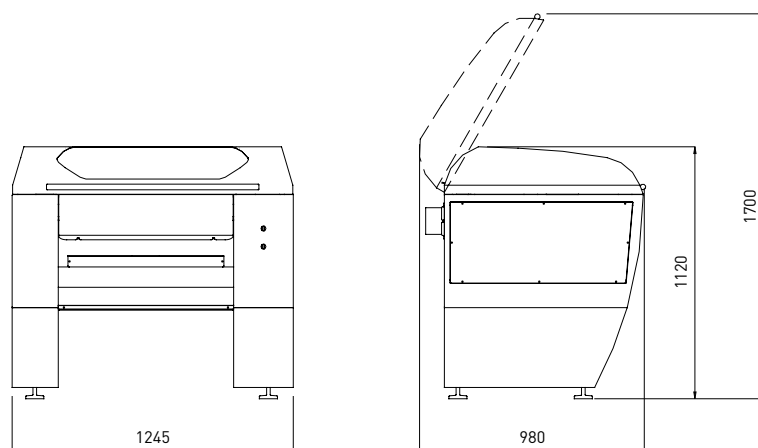
- kit for register cutting with print marker recognition: optic CCD+software;
- additional kit for compressed air assist to aid cutting and/or marking;
- focal units and lens holders available: 1,5"; 2"; 3".



Focal unit set: interchangeable optics and focal units



Work waste collection box



Kg 250 max.

The system is CE certified.
The features and the specifications of the system may change without notice.